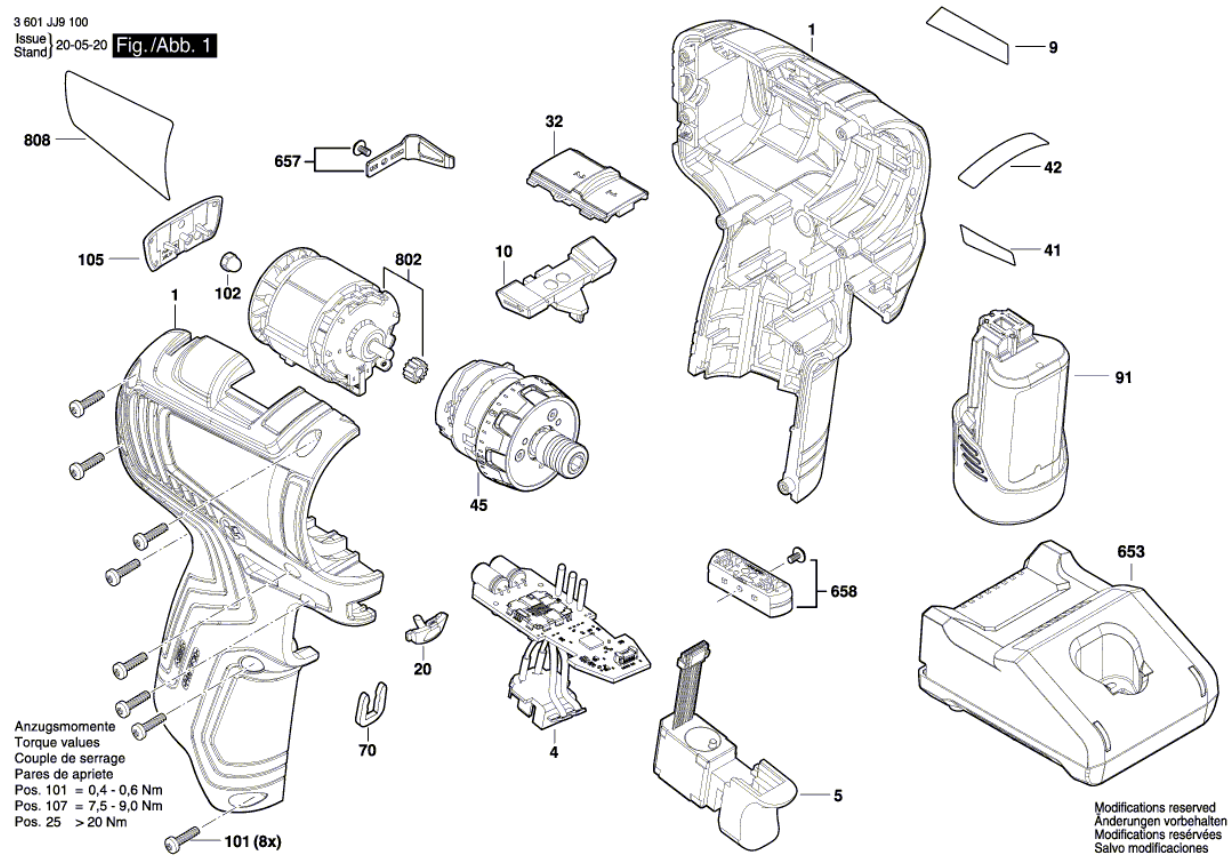


Illustration - Type - E

3 601 JJ9 100  
 Issue | 20-05-20  
 Stand | **Fig./Abb. 1**



Anzugsmomente  
 Torque values  
 Couple de serrage  
 Pares de apriete  
 Pos. 101 = 0,4 - 0,6 Nm  
 Pos. 107 = 7,5 - 9,0 Nm  
 Pos. 25 > 20 Nm

Modifications reserved  
 Änderungen vorbehalten  
 Modifications réservées  
 Salvo modificaciones

## Spare parts list

Item	Part Number	Description	Illustration
1	1 600 A01 3ZK	Housing	1
4	1 607 233 5HJ	Electronic Module	1
5	2 607 202 516	Switch	1
9	1 601 11C 3A5	Manufacturer's nameplate GSR 12V-35 HX	1
10	1 600 A01 V88	Changeover Lever	1
20	1 600 A01 CB5	Lens	1
32	1 600 A01 3HK	Switchover Unit	1
41	1 601 11C 2MP	Sticker	1
42	1 601 11C 2NE	Sticker	1
45	1 600 A01 S5K	Gear Box	1
70	2 609 110 537	Clip	1
91	1 607 A35 06A	Battery Pack GBA 12V 3,0 Ah Li	1
101	2 609 110 883	Screw	1
102	1 600 A01 6R4	Cap Nut	1
105	1 600 A01 8UV	Color clip	1
653	2 607 226 219	Fast Charger EU GAL 12V-40	1
653	2 607 226 221	Fast Charger GAL 12V-40 220V-240V 10,8-12V 4A	1
657	1 600 A02 47P	Clip	1
658	1 600 A02 0HN	Bit holder	1
802	1 600 A01 M97	Brushless DC motor	1
808	1 600 A01 U1W	Type Label	1